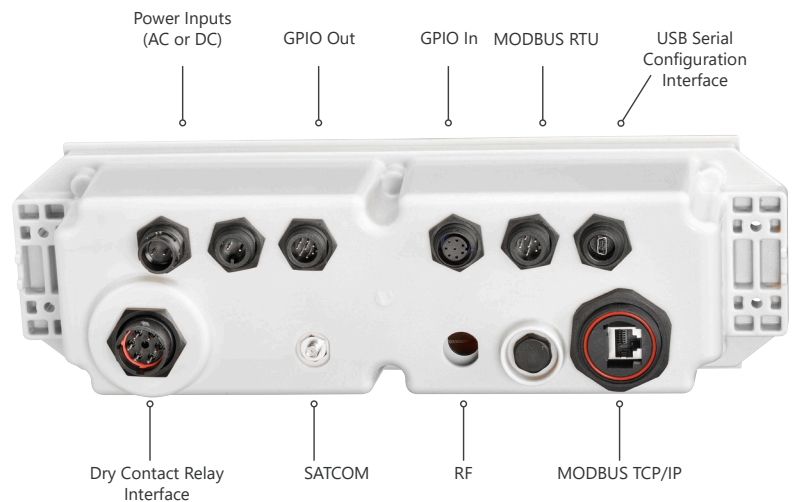
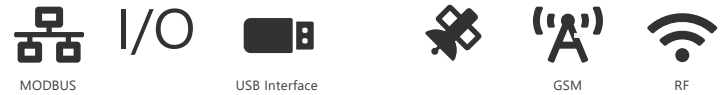




The Universal Gateway is a machine-to-machine protocol converter. It connects to products of various protocols and allows them to talk to an entire system. Devices and systems work together to use data in a coordinated manner.

Key Features:

- Bluetooth® for programming/servicing
- Wide range of communication interfaces including MODBUS, IO, Relay and RF
- Remote control and monitoring enabled via SATCOM or GSM
- Universal Mains (AC) or DC Input



What is the Universal Gateway (UGW)?

The UGW is bi-directional, allowing communication and commands back to the asset for control or monitoring purposes. It includes fully configurable interface mapping to be implemented by an integrator or end-user to align with their products.

Third Party Integration

The UGW is designed to integrate Sealite/Avlite products into third party control and monitoring systems, or integrate third party products into Sealite/Avlite Control and Monitoring Systems. It can also allow third party products to be monitored via SATCOM.

Connect through Star2M® portal

Using our Star2M® Asset Management software, all connected assets are controlled, monitored and maintained. In all applications, the Universal Gateway can be integrated using a standard methodology, but can be configured through

programming for specific interface requirements.

Interfaces available

- RF mesh network communication
- Serial configuration interface via USB
- Satellite communication (SATCOM) interface
- GSM communication interface
- MODBUS TCP/IP
- MODBUS RTU via RS-485
- Dry contact relay interface via electromechanical or high current variants
- Discrete IO via general-purpose input/outputs



S2M-UGW	DC	UM
---------	----	----

Electrical Characteristics

Input Voltage	12 - 48 VDC	100 - 240 VAC
Input Frequency	50 - 60Hz	
Operating Temperature	-40 to 55° C	

Power Consumption

Peak	1.3W	70 VAC
Average	1.05W	N/A

Interfaces

Standard	<ul style="list-style-type: none"> Serial configuration interface via USB MODBUS TCP/IP MODBUS RTU via RS-485 Discrete IO via general-purpose input/outputs
Optional	<ul style="list-style-type: none"> RF mesh network communication Satellite communication (SATCOM) interface GSM communication interface Dry contact relay interface via electromechanical or high current variants (Control only)

Physical Characteristics

Body Material	Polycarbonate
Height (mm/inches)	Base Build: 188mm / 7.40 in SATCOM: 199mm / 7.83 in RF: 385mm / 15.15 in RF and SATCOM: 385mm / 15.15 in
Width (mm/inches)	Base Build: 344mm / 13.54 in SATCOM: 394mm / 15.51 in RF: 394mm / 15.51 in RF and SATCOM: 445mm / 17.52 in
Depth (mm/inches)	Base Build: 111mm / 4.37 in SATCOM: 111mm / 4.37 in RF: 111mm / 4.37 in RF and SATCOM: 111mm / 4.37 in
Mass (kg/lbs)	Base Build: 1.35kg / 2.98 lbs SATCOM: 1.5kg / 3.31 lbs RF: 1.6kg / 3.53 lbs RF and SATCOM: 1.8kg / 3.97 lbs
Service Life	12 years +

Environmental Standards

Shock	MIL-STD-202G, method 213B
Vibration	MIL-STD-202G, method 204D
Humidity	0 to 100%

Compliance

FCC (North America and IC (Canada))	FCC Part 15B/ICES 003 FCC/IC MPE Assessment, Co-location
CE (Europe)	EN 301489-1/17/19/20/52 EN 301908-1, EN 300328, EN 301441, EN 303413, EN 62311
RCM (Australia/New Zealand)	EN 55032, AS/CA S042.1, AS/CA S042.4, RSE AS/NZS 62368.1, AS/NZS 2772.2, IEC 62368.1, IEC 60529 ARPANSA RPS3
Quality Assurance	ISO9001:2015

Other

Warranty *	3 years
Options Available	Cable Kit Star2M Mounting Accessories
Terms and Conditions	Please refer to the installation manuals for further specifications Warranty Terms and Conditions available on www.sealite.com



Ordering This Product

S2M-UGW-[XX]-[XX]



- 1 Product Name**
- 2 Power supply**
DC DC input
UM Universal Mains input
- 3 Option Configuration**
00 Base Build
01 EM-RB
 (Electromechanical Relay Board)
02 SSR-RB (Solid State Relay Board)
03 SAT (Satellite Communications)
04 GSM (GSM Communications)
05 EM-RB, SAT
06 SSR-RB, SAT
07 EM-RB, GSM
08 SSR-RB, GSM
09 RF-2.4
 (RF Communications 2.4 GHz)
10 EM-RB, RF-2.4
11 SSR-RB, RF-2.4
12 SAT, RF-2.4
13 GSM, RF-2.4
14 EM-RB, SAT, RF-2.4
15 SSR-RB, SAT, RF-2.4
16 EM-RB, GSM, RF-2.4
17 SSR-RB, GSM, RF-2.4

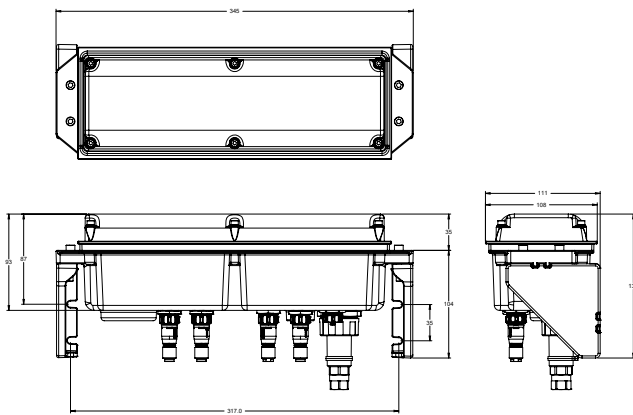
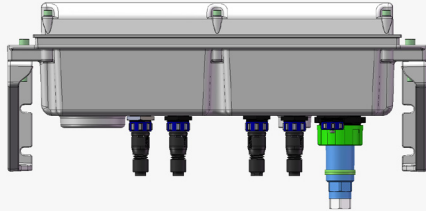


Want to monitor, maintain, manage and control your assets? [Click here](#)

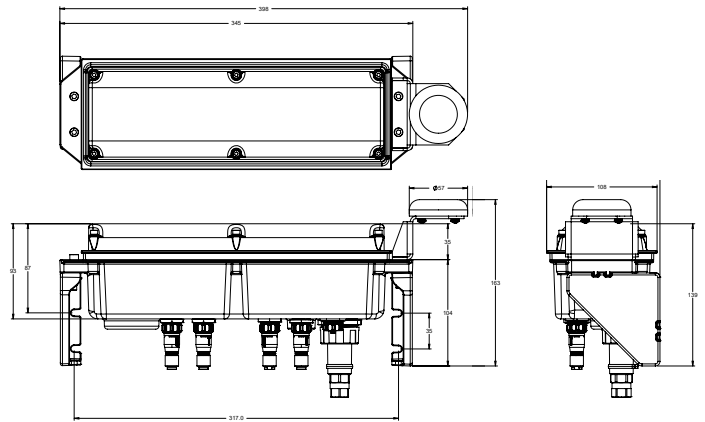
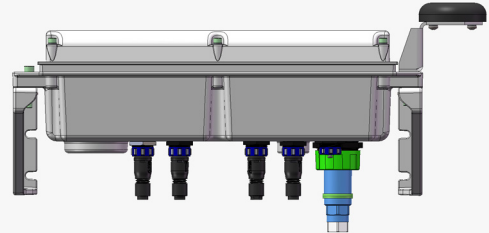


Technical Illustrations

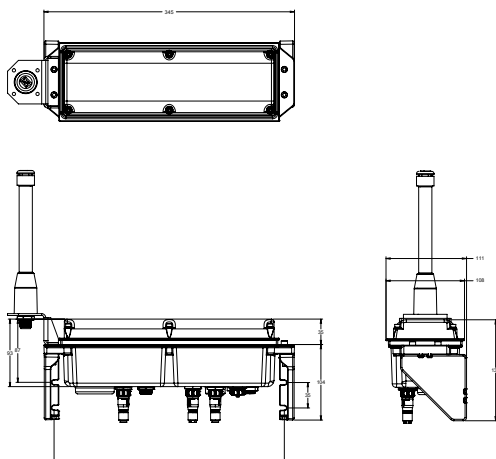
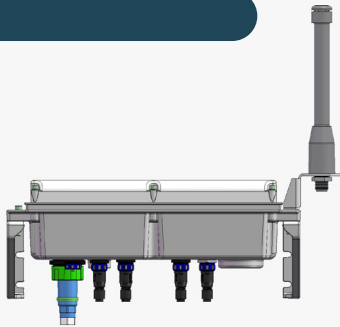
Base Build



SATCOM



RF



RF and SATCOM

